



## Maintenance-Free Ornamental Aluminum Fence

*Strong and Durable Beauty!*



**Aluminate<sup>®</sup>**  
Patented screwless  
technology



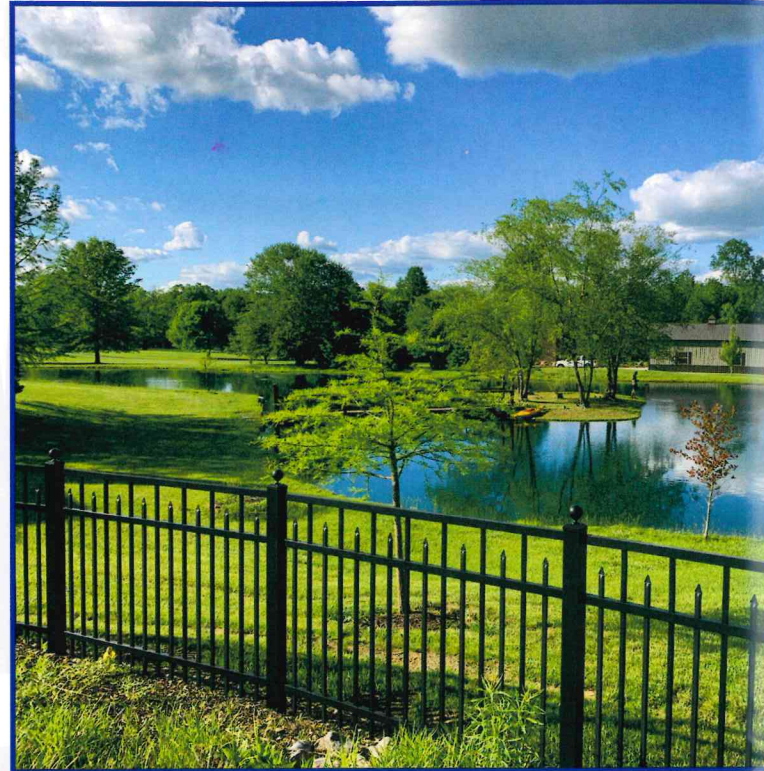
## INTRODUCTION

SPECRAIL, a division of Porcelen, Ltd. CT. LLC, manufactures the most comprehensive choice of aluminum ornamental picket fencing systems to suit the discriminating needs of today's design professionals. With 65 years of experience in manufacturing and finishing of aluminum construction products, Specrail has enjoyed a leadership role within the industry that has been earned through providing the most styles and grades, while offering function, quality and durability of the highest standard.

Our 180,000 square foot plant located in Hamden, Connecticut includes complete state of the art fabrication and painting facilities. Porcelen, has been a leader in custom finishing since 1957 and offers the versatility of our POWDURA™ powder coating finish on our SPECRAIL fences. We know that every fence or gate we manufacture represents who we are, and so our commitment is not only to our customer's need, but also to our dedication to quality.

SPECRAIL's confidence in the quality and longevity of our product allows us to issue a Limited Lifetime Warranty with every fence system sold. This guarantee covers our products against rust, material defects and workmanship, as well as the painted finish against chipping, peeling, or cracking. Whenever you need lasting beauty and protection, SPECRAIL is your best choice.

*"The Mark of Quality That Makes An Impression"*



S-3

## SPECRAIL Aluminum Fence Features:

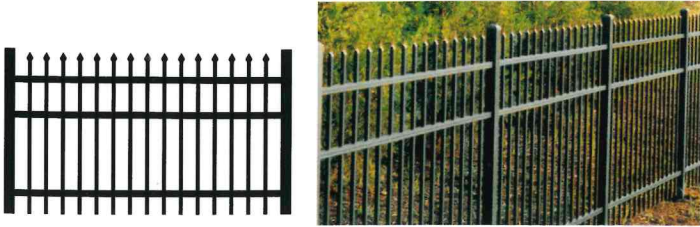
- Aluminum Construction - Maintenance free guaranteed!
- Design flexibility: available in seven standard styles – custom fabrication capabilities
- Colors: black, white and bronze
- Complete "one source" manufacturer
- Finest fabrication and finishing facilities in the industry
- Customer responsiveness
- Three grades of fencing: residential (SR), commercial (SC) and industrial (SI)
- Total quality control and service to guarantee customer satisfaction
- Versatility, custom sections and color matching
- POWDURA™ powder tough finish, exceeds AAMA 2604



S-1

## S1 - Bennington

This fence is designed to blend into the natural cadence of virtually any landscape. Embracing a traditional fence style, it comes with an accent of spear points across the top.



## S2 - Berkshire

Like the Bennington, the Berkshire recreates elegant tradition but comes with staggered spear point picket tops.



## S3 - Essex

With its classic smooth rail top and traditional spear points below, the Essex is designed to meet the most demanding aesthetic needs.



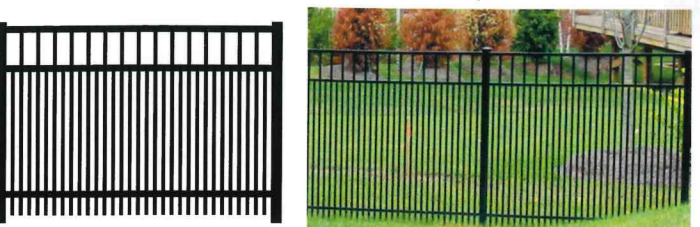
## S4 - Saybrook

This classic design with smooth rail top reflects the mood of a late spring evening.



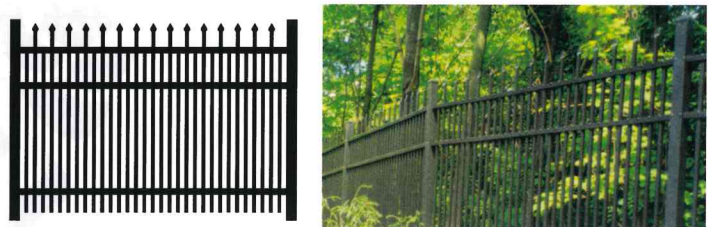
## S7 - Horizon

This Horizon has a view in mind with its classic design, smooth rail on top and picket spacing of 1 1/2" between pickets is built for harmony in the landscape.



## S8 - Falcon

With every other picket thrusting a spear point through the top rail and with 1 1/2" picket spacing, this fence was created to make the vision of your landscape soar.



## S9 - Storrs

The height of simplicity, this fence with smooth top rail has been modified so that pickets do not extend through the bottom rail.



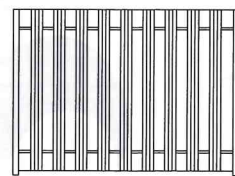
## S10 - Derby

The simplicity of this basic two rail smooth top with enclosed pickets is ideal for pool applications and is also excellent for balconies and decks.



## S11 - Privacy Panel


This aluminum board on board privacy design offers a unique alternative to wood or vinyl privacy.



## Dog Panel Modification

Any standard panel maybe modified to incorporate a Dog Panel in lower third section. This will keep smaller pets in or add detail to any design.



 Indicates available also in our patented ALUMINATE® screwless design in all grades.

## Residential SR

**Specrail Residential (SR)** aluminum fencing offers a combination of durability, strength and clean appearance, and will keep their attractive finish over a lifetime. Like all Specrail fencing systems, matching gates are available for all of the styles.

The SR system offers a classic appearance to any perimeter and is available in 6' wide panels.

### Table of Dimensions

RESIDENTIAL GRADE (SR)	
PICKETS	.625" x .625" x .050"
STRINGERS	1.00" x 1.063" x 1.00"
Side wall	0.060"
Top wall	0.060"
POSTS	2" x 2" x 0.060 wall
GATE POSTS	2" x 2" x 0.125 wall
PICKET SPACING	4.375" o.c.
Spacing between pickets	3.750"
Style SR 7, 8	1.5625"
HEIGHTS AVAILABLE	36", 42", 48", 60", 72"
ALLOY	6105-T5-35,000 PSI
OPTIONAL POST	2.5" x 2.5" industrial post 2.5" x 2.5" x 0.075" wall



SR-2

The Specrail Residential (SR) grade fence system can be applied to a wide range of residential uses. To define residential property lines or enclose a swimming pool, Specrail fence is the perfect choice. It will provide safety, function and beauty for years to come.

## Commercial SC

**Specrail Commercial (SC)** fencing system is the perfect complement to any landscape. This unique grade of fencing is ideal for areas where you need the strength of a commercial product with the aesthetic appearance of a narrower picket.

Like all Specrail fencing, the components of this system are constructed of high-strength aluminum alloy, 6105-T5, and this material will not rust.

It is consistently specified by architects, landscape designers, specifiers and municipalities.

The SC system is available in either 6' or 8' wide panels.

### Table of Dimensions

COMMERCIAL GRADE (SC)	
PICKETS	.75" x .75" x .050" wall
STRINGERS	1.5" x 1.0" x 1.5"
Side wall	0.090"
Top wall	0.065"
POSTS	2.5" x 2.5" x 0.0750 walls
GATE POSTS	4" x 4" x 0.125 wall
PICKET SPACING	4.312" o.c.
Spacing between pickets	3.562"
Style SR 7, 8	1.437"
HEIGHTS AVAILABLE	36", 42", 48", 60", 72", 84", 96"
ALLOY	6105-T5-35,000 PSI
OPTIONAL POST	2" x 2" x .060" wall 3" x 3" x 0.125" wall



SC-9

Specrail Commercial (SC) fencing system is available in either 6' or 8' wide panels to accommodate any design. The commercial system can be applied to apartment complexes, factories, swimming pools, schools, shopping centers, churches or cemeteries.

## Industrial SI

**Specrail Industrial (SI)** aluminum fencing system combines its heaviest gauge aluminum extrusions for high visibility and substantial appearance, with aesthetic excellence. The finished product will beautify property lines while creating a deterrent to illegal entry.

The SI system is also available in either 6' or 8' wide panels.

### Table of Dimensions

INDUSTRIAL GRADE (SI)	
PICKETS	1" x 1" x .065"
STRINGERS	1.625" x 1.625" x 1.625"
Side wall	0.100"
Top wall	0.070"
POSTS	2.5" x 2.5" x 0.075" wall
GATE POSTS	4" x 4" x 0.125" wall
PICKET SPACING	5.00" o.c.
Spacing between pickets	4"
Style SR 7, 8	1.5"
HEIGHTS AVAILABLE	36", 42", 48", 60", 72", 84", 96"
ALLOY	6105-T5-35,000 PSI
OPTIONAL POST	3" x 3" x 0.125" wall 4" x 4" x 0.125" wall



SI-1 with Type B Finials

Specifications for the Specrail Industrial (SI) fencing system are most commonly applied to high traffic public areas, industrial complexes, and commercial areas. Other applications may include municipal buildings, schools, churches or apartment complexes.

# Quality — Gates Built to Last . . .

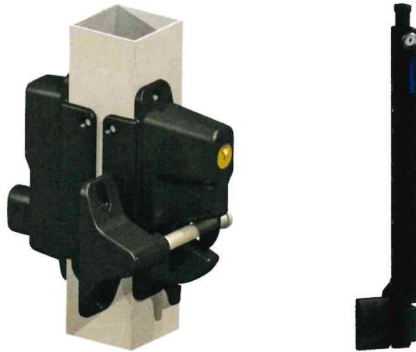


S-4

SPECRAIL gates are available to match all styles and grades. Gates are the most important component of any fencing project. After years of engineering and field research, Specrail has developed structurally sound gates that set us apart from the competition.

Our exclusive “punch-tru” design with welded corner gussets on our heavy walled aluminum gate frame is the strongest gate frame on the market.

We offer multiple latches including a Magnetic Pool latch, keyed latch, and other options to insure that your gates have a positive method of locking.



SR-1 with SR-6 Walk Gate



## . . . Built To Your Requirements.



Custom, S-7, Graded Gate

**SPECRAIL**  
*can custom build  
the gate you need to  
complete your entry  
system.*



Greenwich Estate, S-9, with Security Screen

SPECRAIL gates are built to be attractive and above all functional. All walk gates are furnished with self-closing hinges with adjustable tension.



# Regal™ Series Designer Gates are as Unique as You!



Greenwich Estate, S-2, with Type A Finials, Custom Panel



Greenwich Estate, S-9

Our Regal Designer Series estate gates offers beautifully arched top gates, which adds elegance and flare to any entrance.

All welded construction, these gates are custom fitted to your opening and can be mounted to any type of column or post.

## Construction Details

- All Welded Construction
- POWDURA™ Polyester Coating
- Heavy Wall 6105-T5 Alloy
- Aluminum Cast Ornaments

Rails 2" x 1" channel

Vertical Frame 2" x 2" sq

Pickets 5/8" sq; 3/4" sq, 1" sq



Woodbridge Estate, S-9



Woodbridge Estate, S-1, with Type B Finials

## Quality . . . . . .That Adds Style & Strength

Each gate is a statement in itself, however, they become even more attractive with the addition of SPECRAIL's decorative castings.

Elegant and exquisite, SPECRAIL's Regal Designer ornamental estate entrance gates will add beauty and security to your property. Fabricated as single welding technology and high tension strength aluminum.



Greenwich Estate, S-1, with Large Scroll



Woodbridge Estate, S-1, with Gold Type B Finials and Gold Rings



Custom Woodbridge Estate with Stars, Type B Finials and Dog Panel

# SPECURITY™ Cantilever Gates

## SPECURITY™

### Cantilever Gates

Constructed of heavy walled aluminum utilizing enclosed roller trucks for smooth operation year-after-year.

- Durable and strong
- Fully adjustable
- Permanent good looks
- Engineered for high performance

### Hardware

- Standard 4-wheel truck roller
- Factory lubricated sealed bearings
- Lower guide rollers (eliminates lateral movement)

### STRENGTH

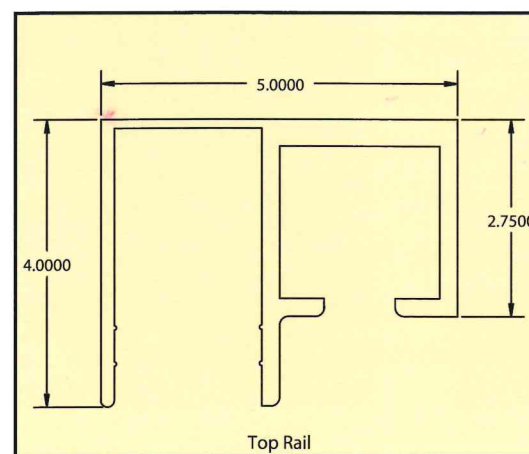
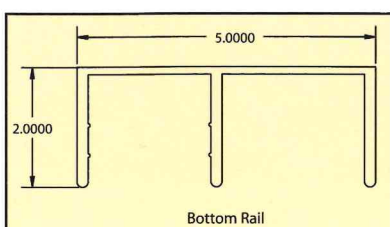
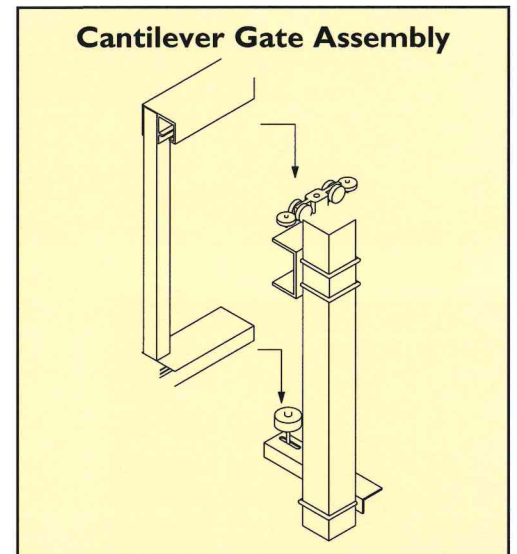
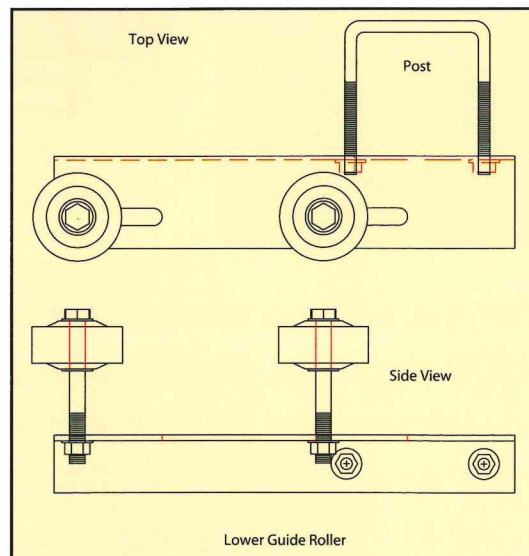
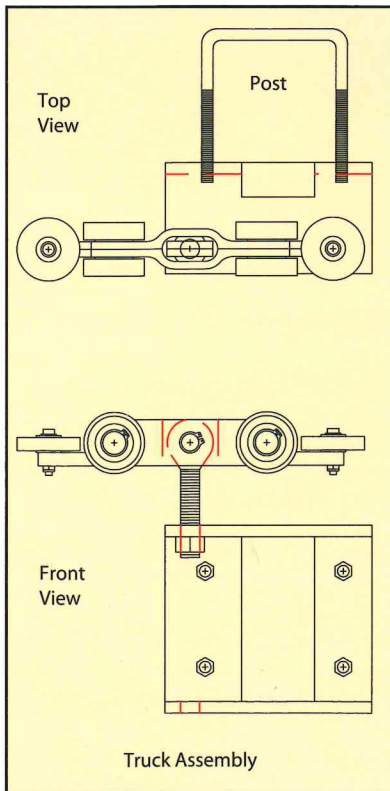
- One piece overhead truck and frame
- All-welded construction
- Stainless steel aircraft cable bracing



S9



S-10



S-9



# Quality Garden Arbors



Type A - Arlington



Arbor Type B - Burlington

**SPECRAIL's arbors are ideal for beautifying and enhancing the appearance of your property. Beautiful designs and fine craftsmanship, fabricated from the same high quality maintenance-free aluminum as our fence systems.**

- No painting or staining
- Won't peel, flake or rust . . . EVER!
- Impervious to termites
- Warranty - limited lifetime
- Available in colors!
- Three standard designs (Arlington, Burlington & Cambridge)



Cambridge



# Aluminum Handrail Systems

SPECRAIL's aluminum railing systems are designed to offer you strength and elegance. Built to provide maximum safety with style and colors.

## System Features & Benefits

**Bellaire:** ¾" picket, 1½" breadloaf top rail, 6' assembled panels

**Avon:** 1" picket, 2½" breadloaf top rail, 6', 8' & 10' assembled panels

**Bridgeport:** 1" picket, 2½" breadloaf top rail, 6', 8' & 10' assembled panels with concealed screws

**Canton:** versatile component system that allows you the use of a myriad of infill options from glass, expanded metal, woven wire, welded wire and more. 2½" breadloaf top rail.

**Posts:** 3" sq. or 4" sq

**Height:** 36" & 42" standard

**POWDURA™** super durable coating, exceeds AAMA 2604

**Standard colors:** black, white or bronze.

*Custom color matching upon request.*



Avon



Bridgeport



Canton Glass Infill

*Quality . . .*



S-1



S-1



S-4

# ...Elegance



S-1

# Security ...



S-1, Modified

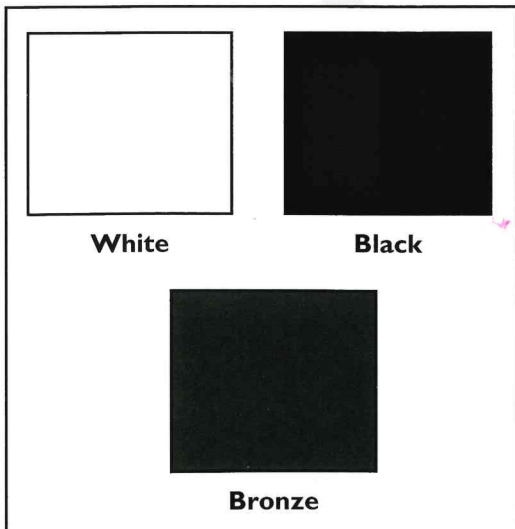
# Unique ...



Custom Woodbridge Estate, S-1

SPECRAIL's fences are coated with an environmentally approved POWDURA™ polyester powder coating, a super durable powder-tough finish that exceeds AAMA 2604 specifications.

Residential, Commercial and Industrial grades are available in our standard colors of Black, White and Bronze. Custom color matching is available.



Color swatches are not true representation. Color sample chips available upon request.