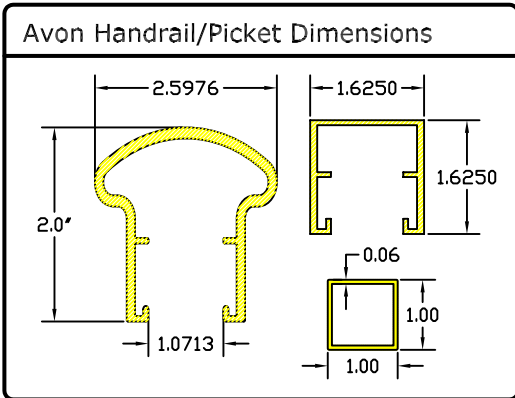


**ALL O.C. DIMENSIONS
AND PANEL WIDTH
VARY DEPENDING ON
ANGLE OF STAIRS.**



SPECRAIL, INDUSTRIAL GRADE
HR, AVON

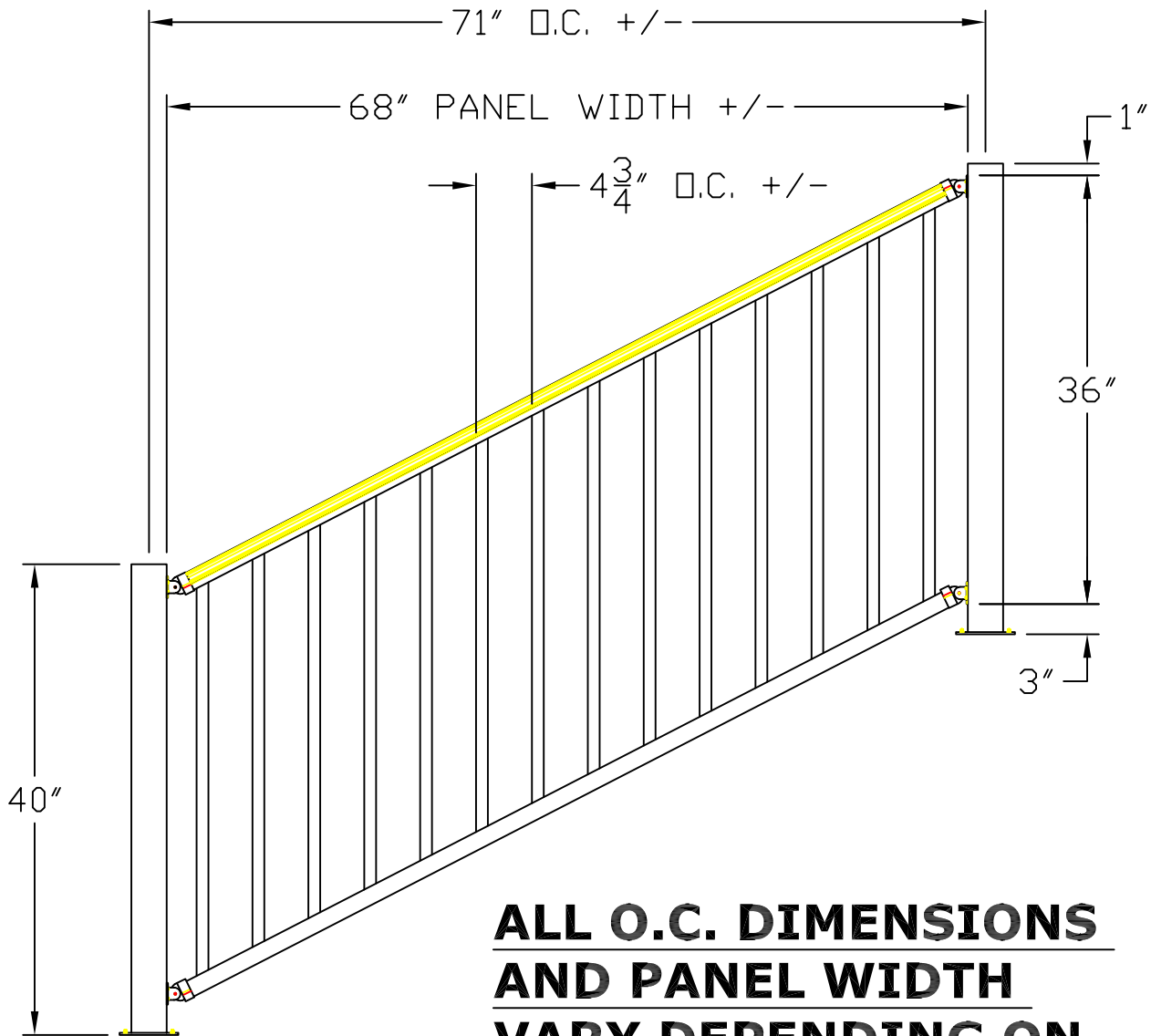
1" SQUARE PICKETS, 4.75" OC, 3"sq. POSTS(PLATED) SHOWN
3.75" BETWEEN PICKETS



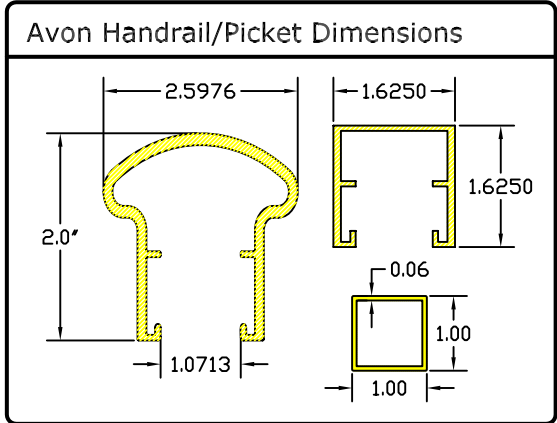
SPECRAIL*
FENCES WITHOUT BOUNDARIES

333 WELTON STREET
HAMDEN, CT 06517
(800) 243-6256

SIZE A	FILE: HR	PART NAME: AVON RACKABLE FOR STAIRS	REV A
SCALE: NOT TO SCALE	DRAWN BY: SHAWN	DATE: 11/07/13	SHEET: N/A



**ALL O.C. DIMENSIONS
AND PANEL WIDTH
VARY DEPENDING ON
ANGLE OF STAIRS.**



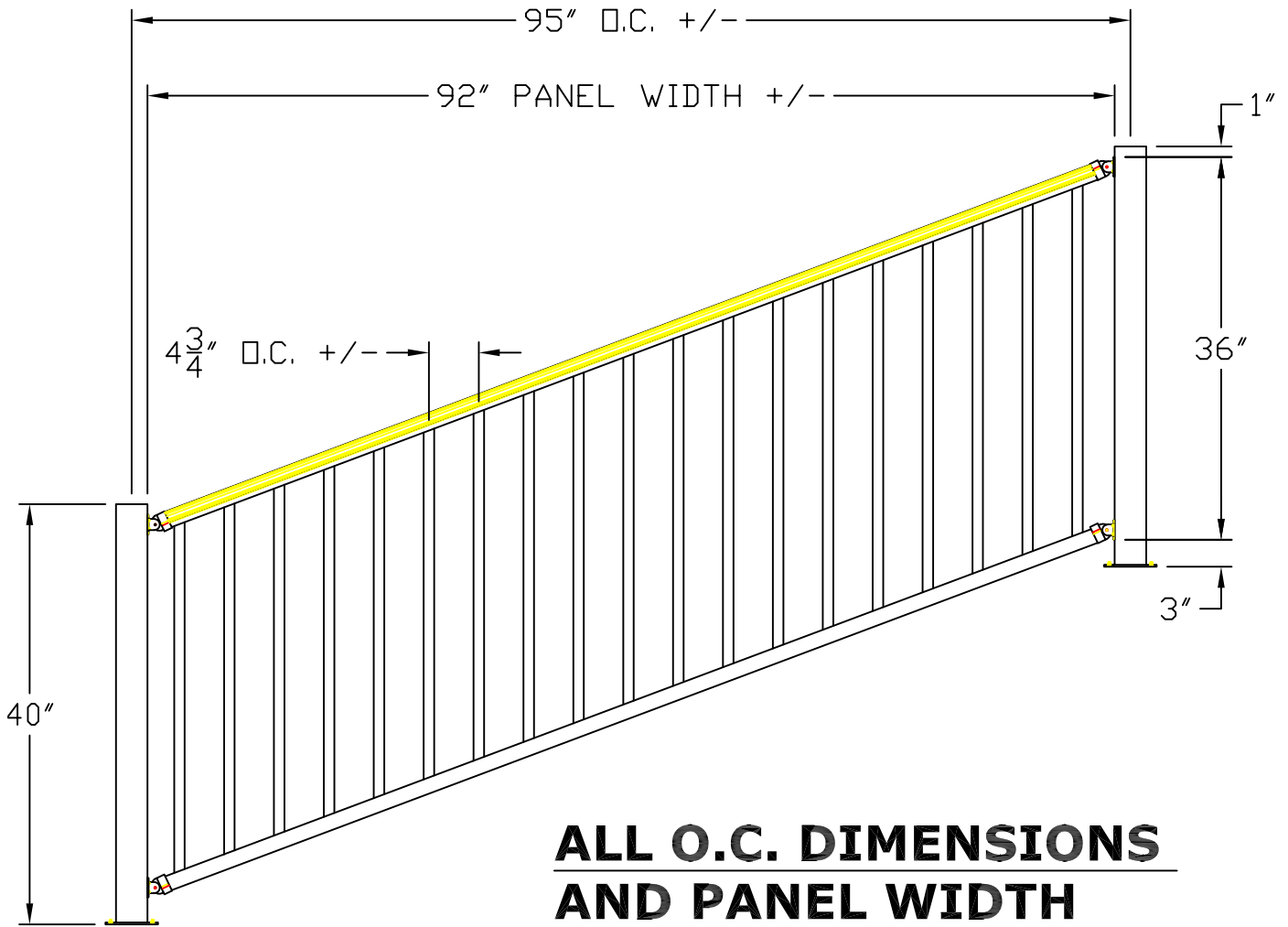
SPECRAIL, INDUSTRIAL GRADE
HR, Avon
1" SQUARE PICKETS, 4.75" OC, 3"sq. POSTS(PLATED) SHOWN
3.75" BETWEEN PICKETS



SPECRAIL*
FENCES WITHOUT BOUNDARIES

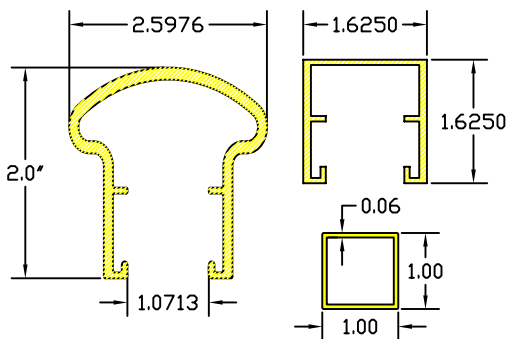
333 WELTON STREET
HAMDEN, CT 06517
(800) 243-6256

SIZE A	FILE: HR	PART NAME: AVON RACKABLE FOR STAIRS	REV A
SCALE: NOT TO SCALE	DRAWN BY: SHAWN	DATE: 11/07/13	SHEET: N/A



**ALL O.C. DIMENSIONS
AND PANEL WIDTH
VARY DEPENDING ON
ANGLE OF STAIRS.**

Avon Handrail/Picket Dimensions



SPECRAIL, INDUSTRIAL GRADE
HR, AVON

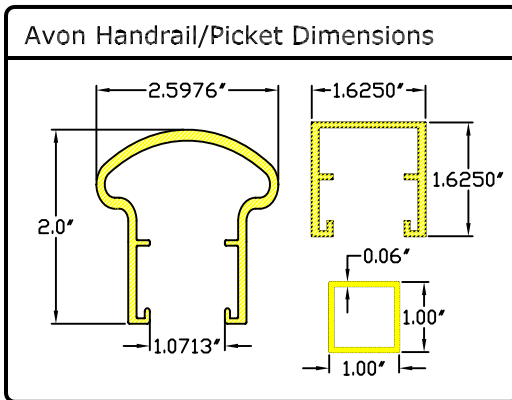
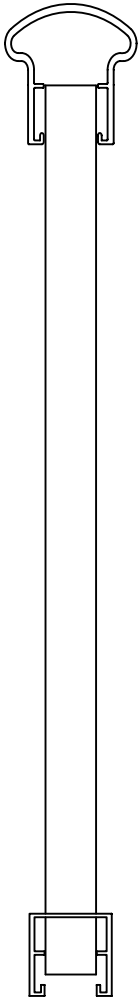
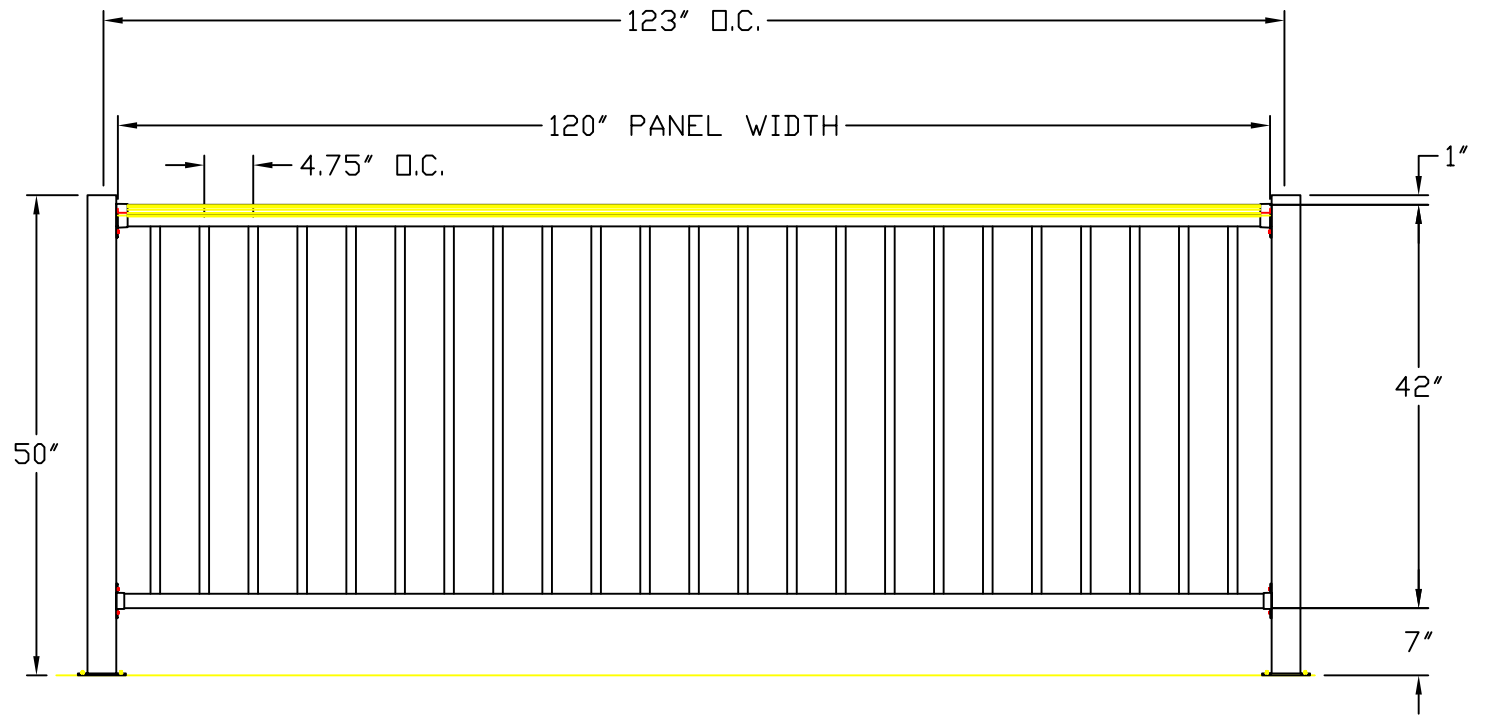
1" SQUARE PICKETS, 4.75" OC, 3"sq. POSTS(PLATED) SHOWN
3.75" BETWEEN PICKETS



SPECRAIL*
FENCES WITHOUT BOUNDARIES

333 WELTON STREET
HAMDEN, CT 06517
(800) 243-6256

SIZE A	FILE: HR	PART NAME: AVON RACKABLE FOR STAIRS	REV A
SCALE: NOT TO SCALE	DRAWN BY: SHAWN	DATE: 11/07/13	SHEET: N/A



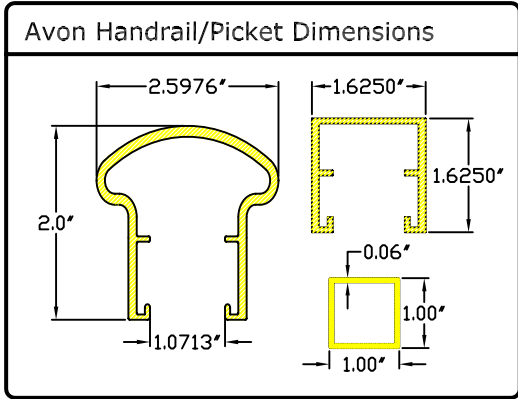
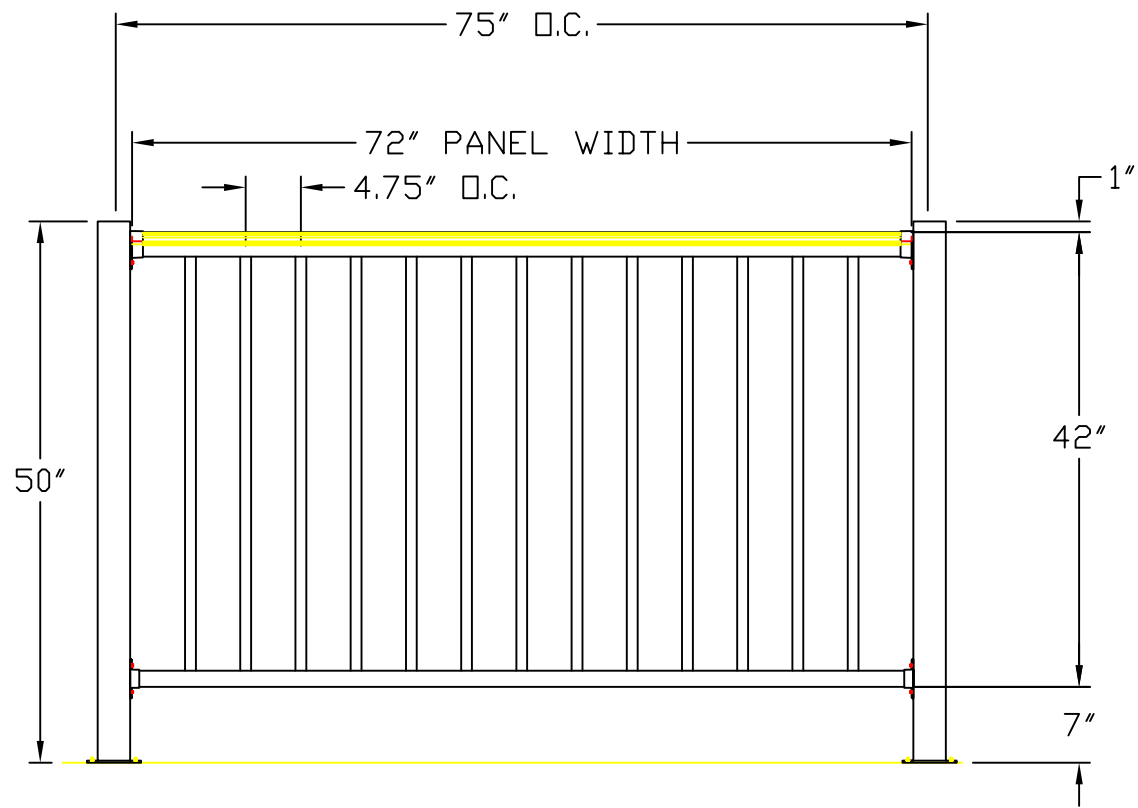
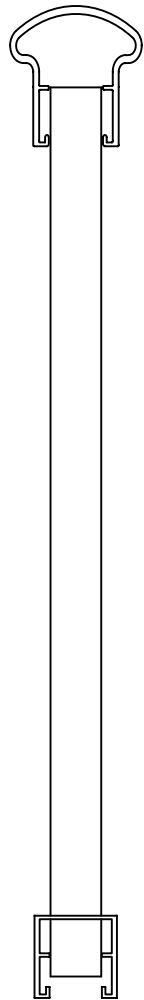
SPECRAIL, INDUSTRIAL GRADE
HR, Avon

1" SQUARE PICKETS, 4.75" DC, 3"sq. POSTS(PLATED) SHOWN
3.75" BETWEEN PICKETS



333 WELTON STREET
HAMDEN, CT 06517
(800) 243-6256

SIZE A	FILE: HR	PART NAME: AVON 2-RAIL	REV A
SCALE: NOT TO SCALE	DRAWN BY: SHAWN	DATE: 11/07/13	SHEET: N/A



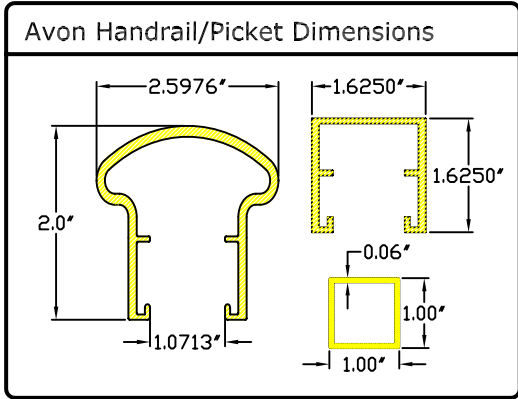
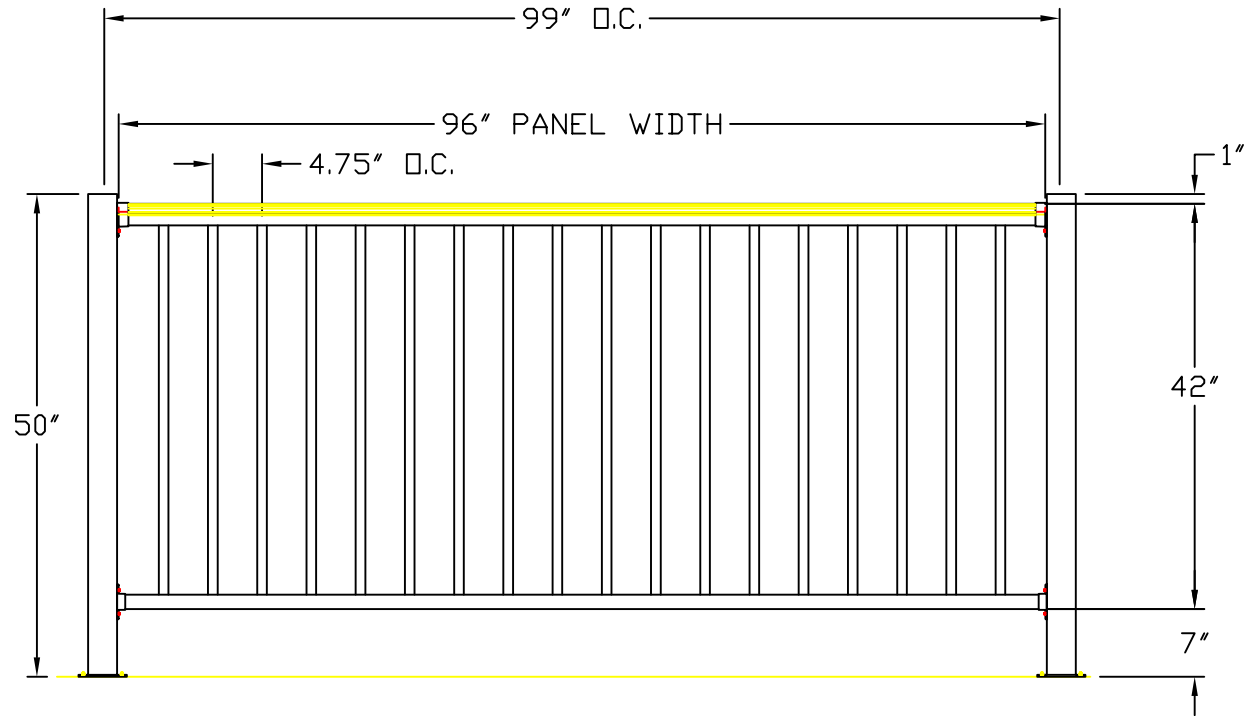
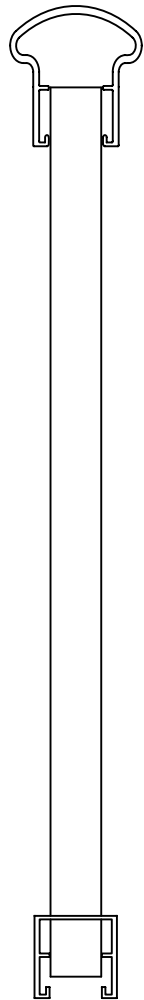
SPECRAIL, INDUSTRIAL GRADE
HR, Avon

1" SQUARE PICKETS, 4.75" O.C., 3"sq. POSTS(PLATED) SHOWN
3.75" BETWEEN PICKETS



333 WELTON STREET
HAMDEN, CT 06517
(800) 243-6256

SIZE A	FILE: HR	PART NAME: AVON 2-RAIL	REV A
SCALE: NOT TO SCALE	DRAWN BY: SHAWN	DATE: 11/07/13	SHEET: N/A



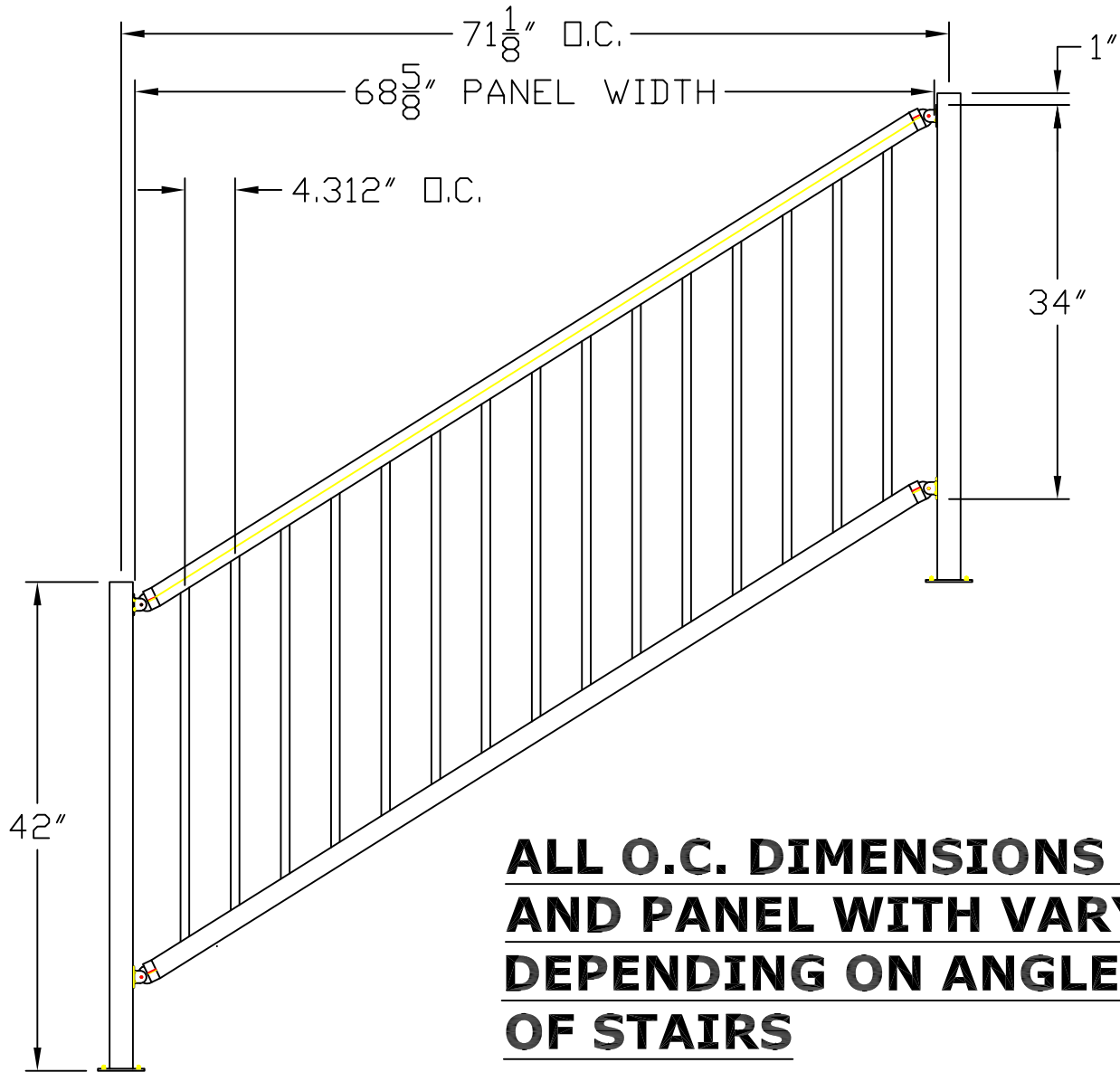
SPECRAIL, INDUSTRIAL GRADE
HR, Avon

1" SQUARE PICKETS, 4.75" O.C., 3"sq. POSTS (PLATED) SHOWN
3.75" BETWEEN PICKETS

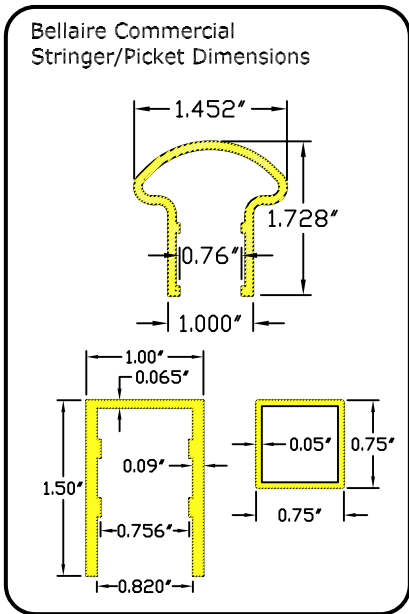


333 WELTON STREET
HAMDEN, CT 06517
(800) 243-6256

SIZE A	FILE: HR	PART NAME: AVON 2-RAIL	REV A
SCALE: NOT TO SCALE	DRAWN BY: SHAWN	DATE: 11/07/13	SHEET: N/A

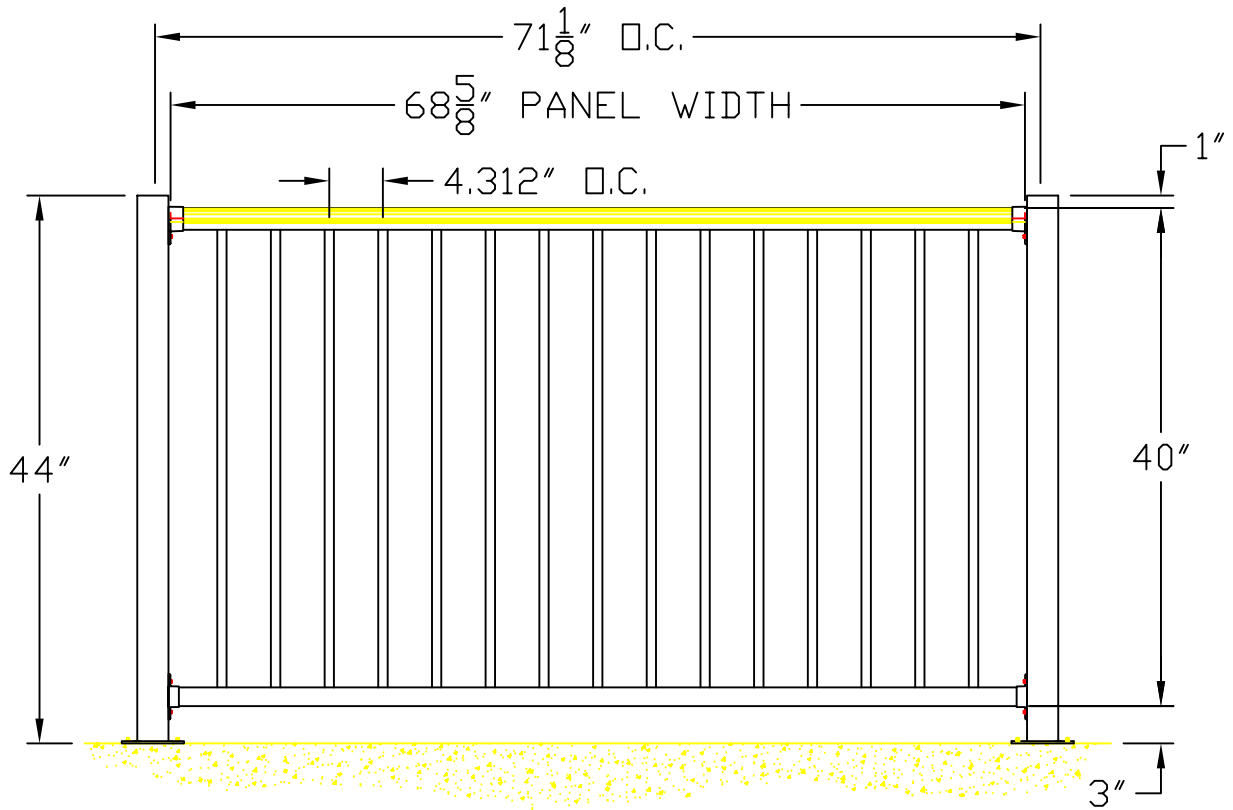
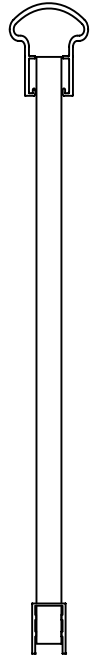


**ALL O.C. DIMENSIONS
AND PANEL WITH VARY
DEPENDING ON ANGLE
OF STAIRS**

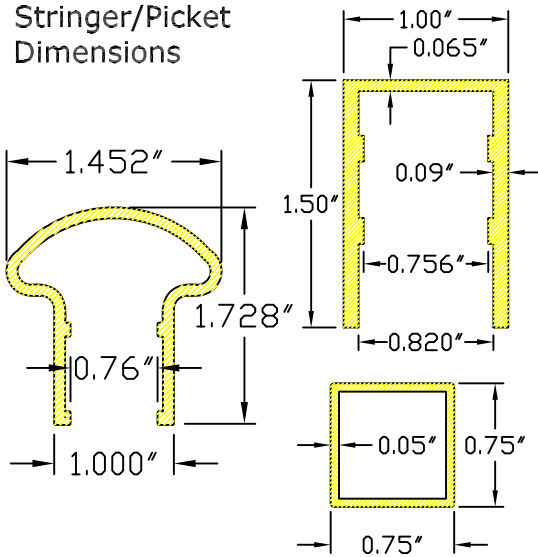


SPECRAIL, COMMERCIAL GRADE
HR, Bellaire
.750\"/>

		333 WELTON STREET HAMDEN, CT 06517 (800) 243-6256	
SIZE A	FILE: HR	PART NAME: BELLAIRE STAIR RAILING	REV A
SCALE: NOT TO SCALE	DRAWN BY: SHAWN	DATE: 11/07/13	SHEET: N/A



**Bellaire Commercial
Stringer/Picket
Dimensions**



SPECRAIL, COMMERCIAL GRADE
HR, Bellaire

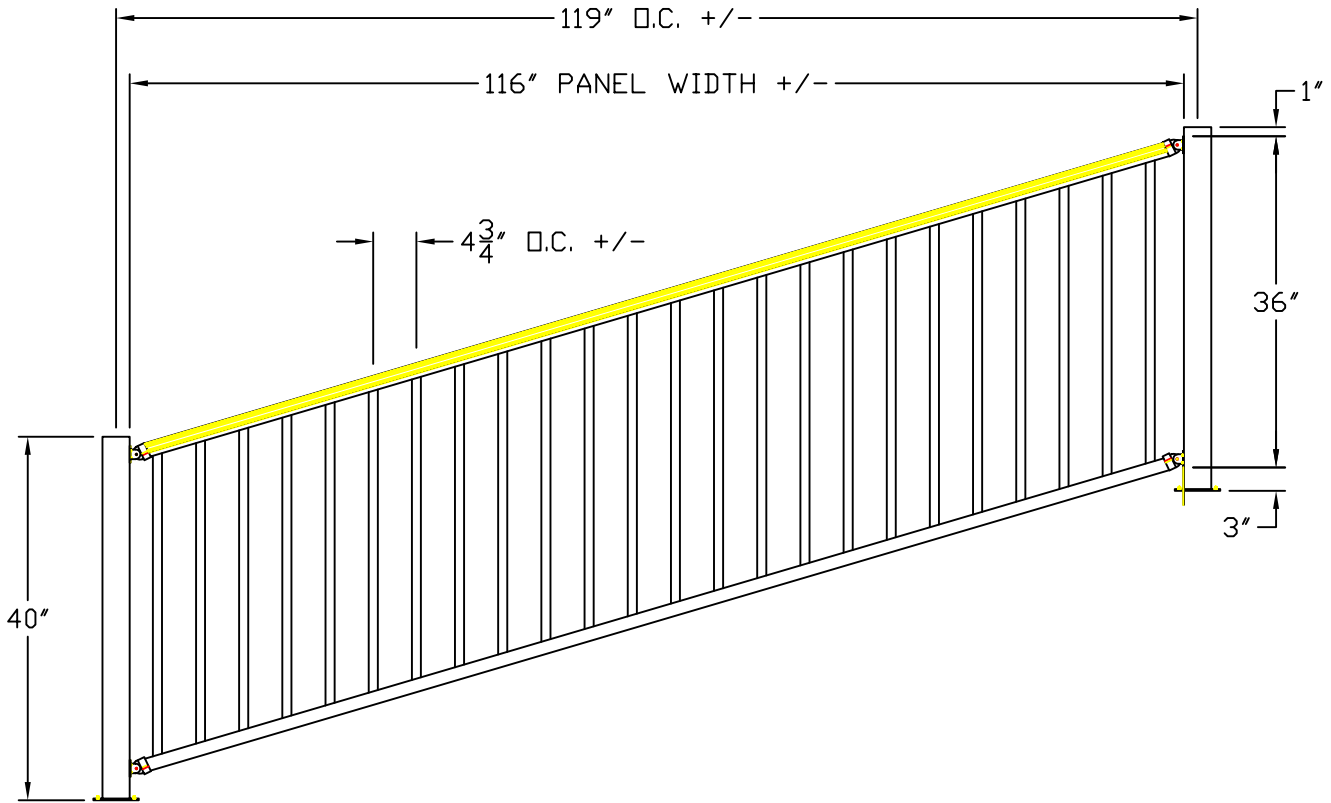
.750" SQUARE PICKETS, 4.312" OC, 2.5"sq. POSTS SHOWN
3.562" BETWEEN PICKETS



SPECRAIL
FENCES WITHOUT BOUNDARIES

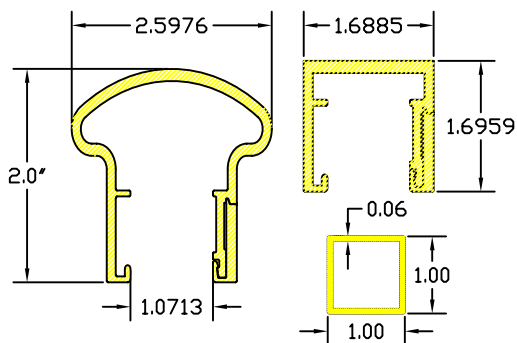
333 WELTON STREET
HAMDEN, CT 06517
(800) 243-6256

SIZE A	FILE:	PART NAME: BELLAIRE 2-RAIL	REV A
SCALE: NOT TO SCALE	DRAWN BY: SHAWN	DATE: 11/07/13	SHEET: N/A



**ALL O.C. DIMENSIONS
AND PANEL WIDTH
VARY DEPENDING ON
ANGLE OF STAIRS.**

Bridgeport Handrail/Picket Dimensions



SPECRAIL, INDUSTRIAL GRADE
HR, Bridgeport
1" SQUARE PICKETS, 4.75" OC, 3"sq. POSTS(PLATED) SHOWN
3.75" BETWEEN PICKETS

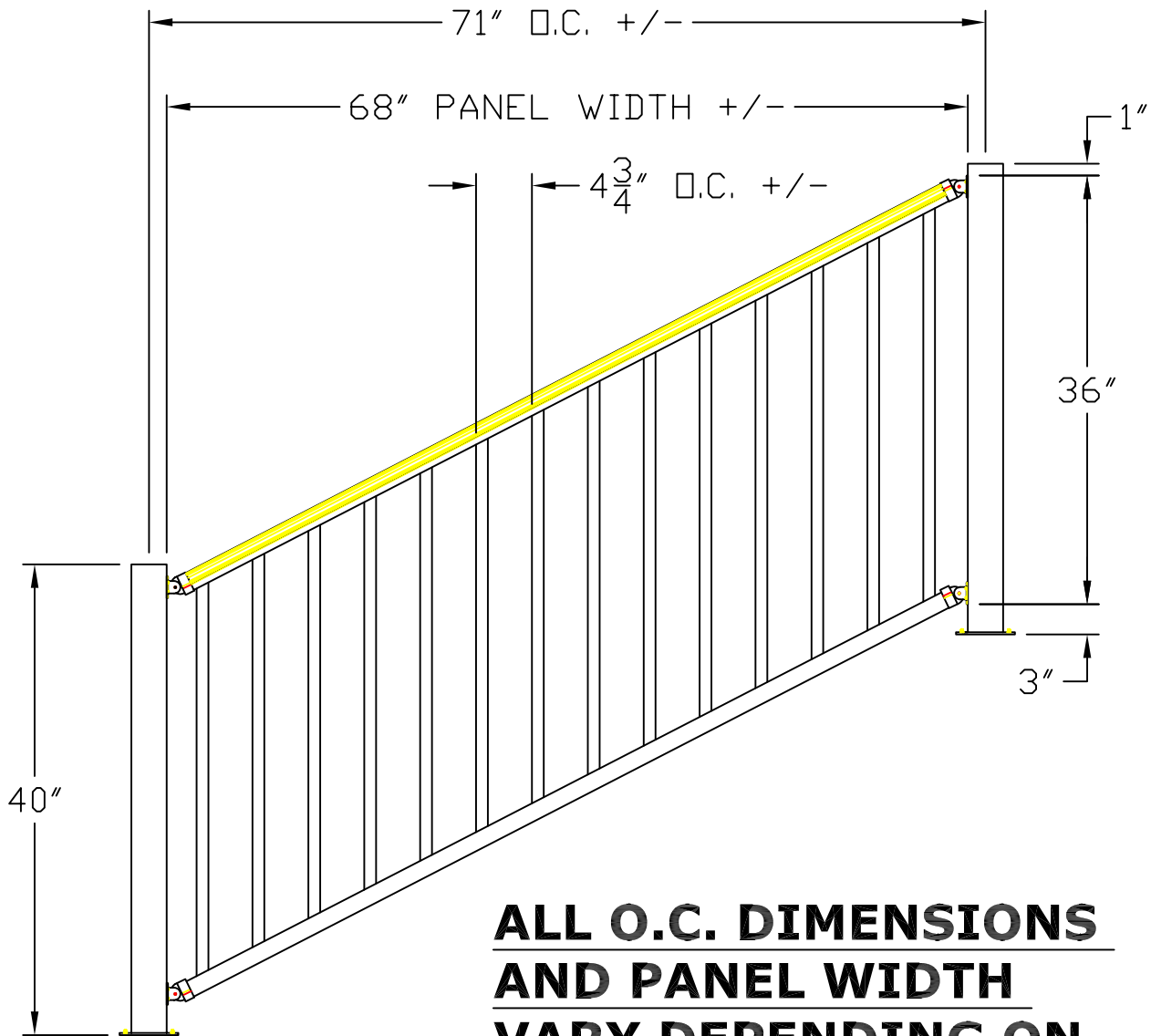


SPECRAIL*

FENCES WITHOUT BOUNDARIES

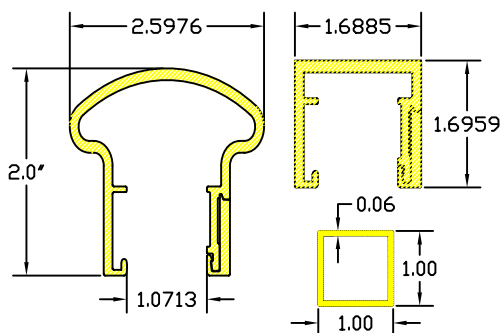
333 WELTON STREET
HAMDEN, CT 06517
(800) 243-6256

SIZE A	FILE: HR	PART NAME: BRIDGEPORT RACKABLE FOR STAIRS	REV A
SCALE: NOT TO SCALE	DRAWN BY: SHAWN	DATE: 11/07/13	SHEET: N/A



**ALL O.C. DIMENSIONS
AND PANEL WIDTH
VARY DEPENDING ON
ANGLE OF STAIRS.**

Bridgeport Handrail/Picket Dimensions



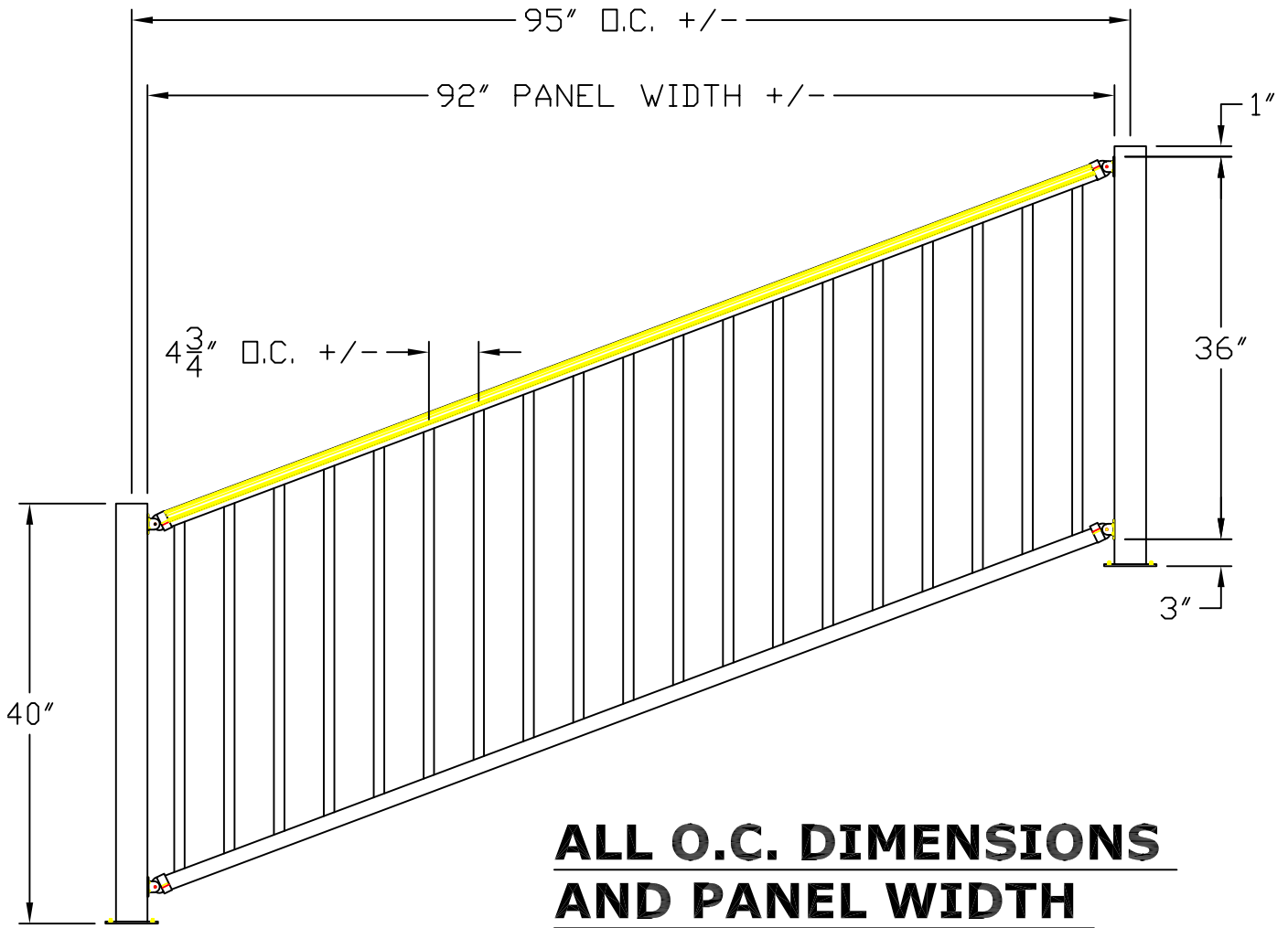
SPECRAIL, INDUSTRIAL GRADE
HR, Bridgeport
1" SQUARE PICKETS, 4.75" OC, 3"sq. POSTS(PLATED) SHOWN
3.75" BETWEEN PICKETS



SPECRAIL*
FENCES WITHOUT BOUNDARIES

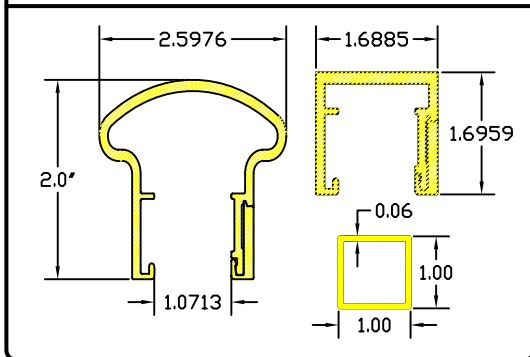
333 WELTON STREET
HAMDEN, CT 06517
(800) 243-6256

SIZE A	FILE: HR	PART NAME: BRIDGEPORT RACKABLE FOR STAIRS	REV A
SCALE: NOT TO SCALE	DRAWN BY: SHAWN	DATE: 11/07/13	SHEET: N/A



**ALL O.C. DIMENSIONS
AND PANEL WIDTH
VARY DEPENDING ON
ANGLE OF STAIRS.**

Bridgeport Handrail/Picket Dimensions



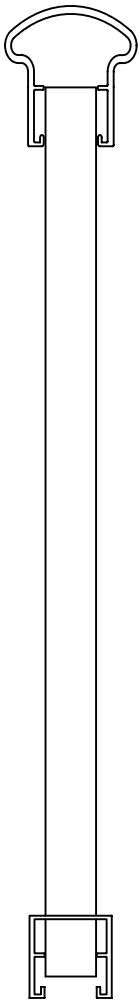
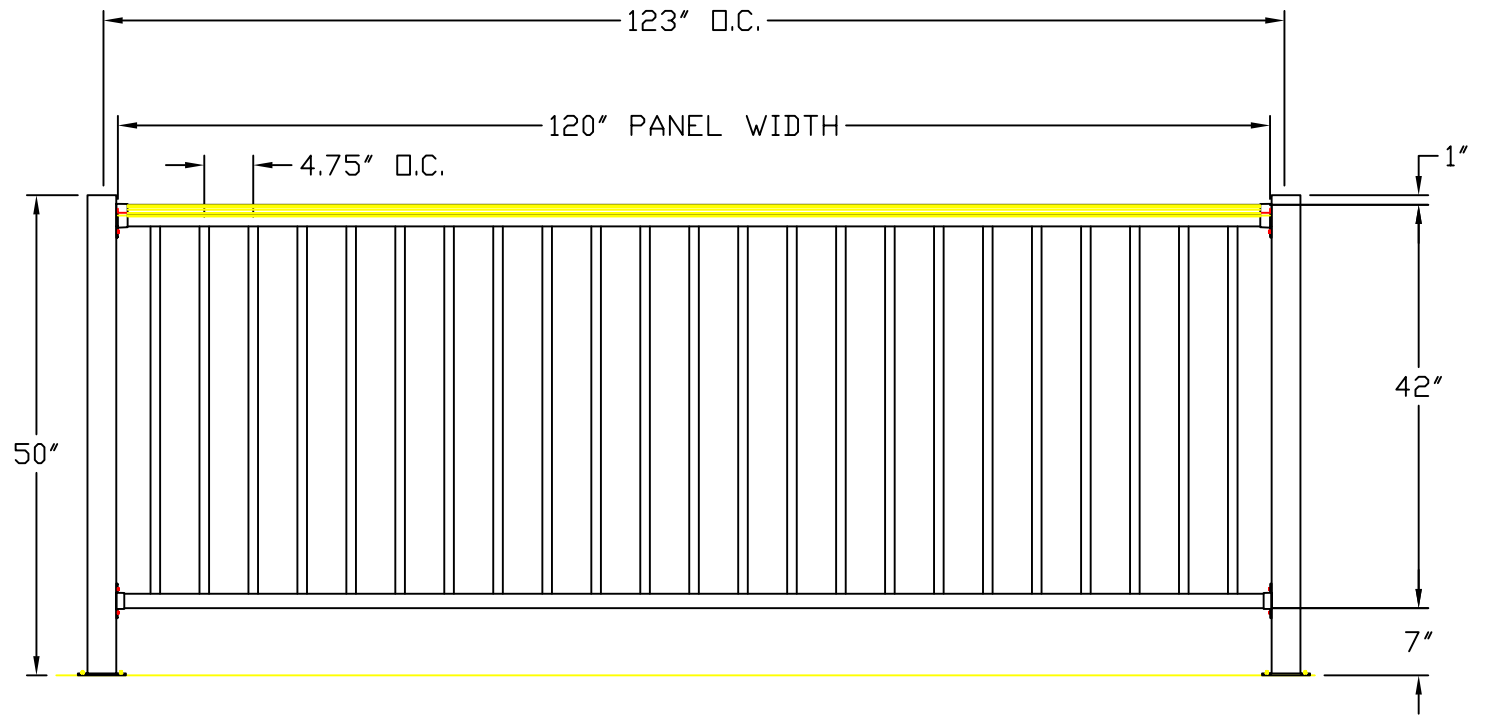
SPECRAIL, INDUSTRIAL GRADE
HR, Bridgeport
1" SQUARE PICKETS, 4.75" OC, 3"sq. POSTS(PLATED) SHOWN
3.75" BETWEEN PICKETS



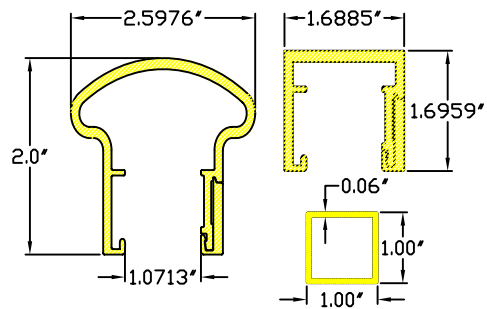
SPECRAIL*
FENCES WITHOUT BOUNDARIES

333 WELTON STREET
HAMDEN, CT 06517
(800) 243-6256

SIZE A	FILE: HR	PART NAME: BRIDGEPORT RACKABLE FOR STAIRS	REV A
SCALE: NOT TO SCALE	DRAWN BY: SHAWN	DATE: 11/07/13	SHEET: N/A



Bridgeport Handrail/Picket Dimensions



SPECRAIL, INDUSTRIAL GRADE
HR, Bridgeport

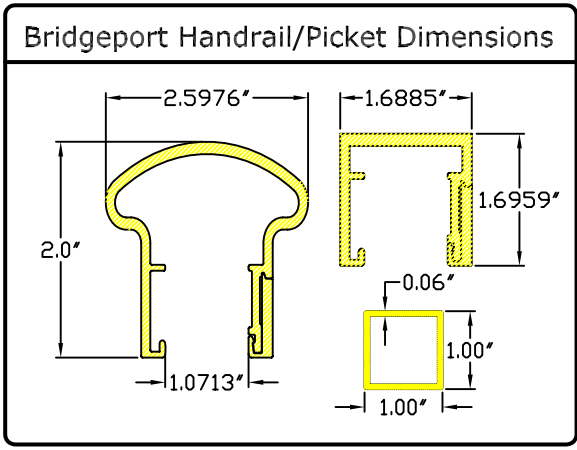
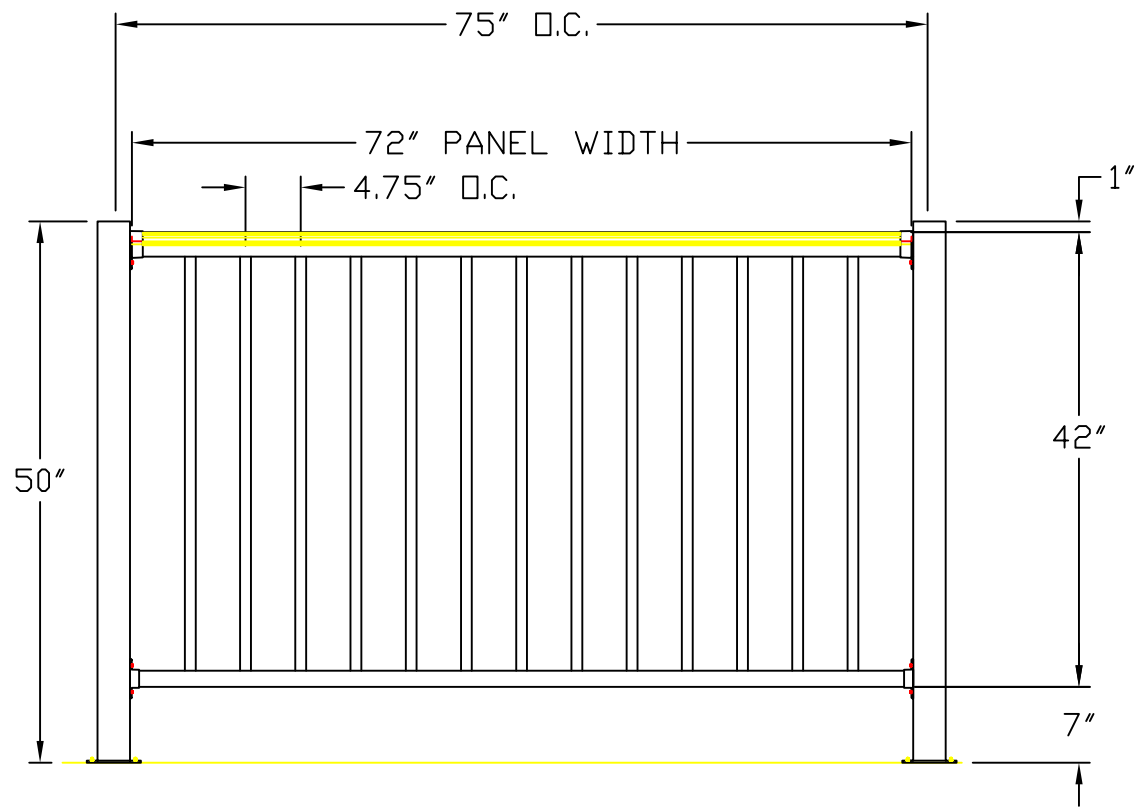
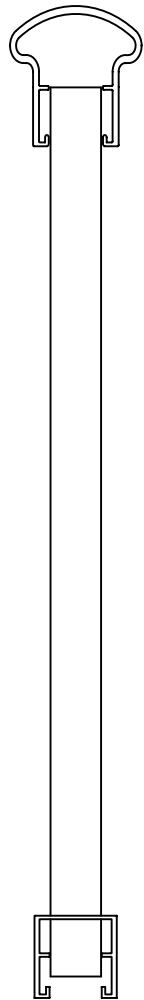
1" SQUARE PICKETS, 4.75" DC, 3"sq. POSTS(PLATED) SHOWN
3.75" BETWEEN PICKETS



SPECRAIL
FENCES WITHOUT BOUNDARIES

333 WELTON STREET
HAMDEN, CT 06517
(800) 243-6256

SIZE A	FILE HR	PART NAME BRIDGEPORT 2-RAIL	REV A
SCALE NOT TO SCALE	DRAWN BY SHAWN	DATE 11/07/13	SHEET N/A



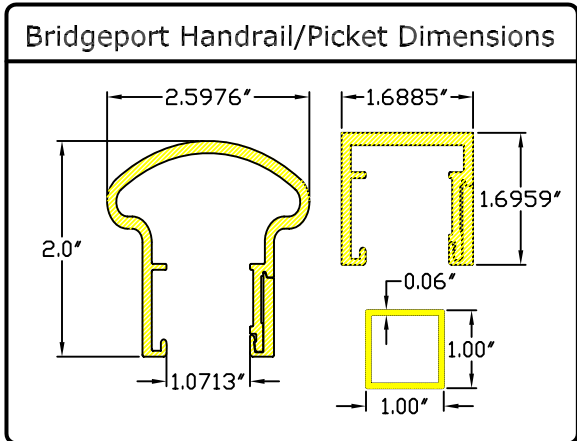
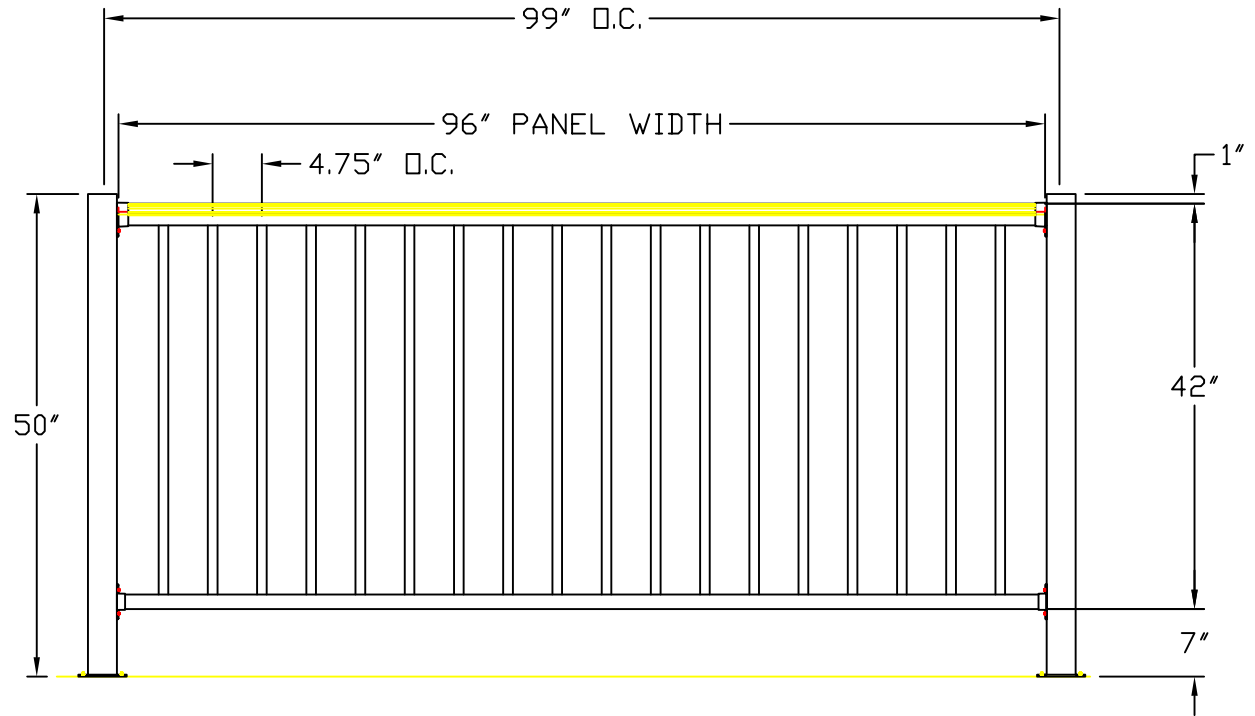
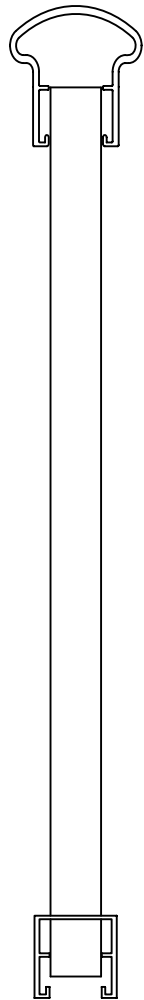
SPECRAIL, INDUSTRIAL GRADE
HR, Bridgeport

1" SQUARE PICKETS, 4.75' DC, 3'sq. POSTS<PLATED> SHOWN
3.75' BETWEEN PICKETS



333 WELTON STREET
HAMDEN, CT 06517
(800) 243-6256

SIZE A	FILE: HR	PART NAME: BRIDGEPORT 2-RAIL	REV A
SCALE: NOT TO SCALE	DRAWN BY: SHAWN	DATE: 11/07/13	SHEET: N/A



SPECRAIL, INDUSTRIAL GRADE
HR, Bridgeport

1" SQUARE PICKETS, 4.75" DC, 3"sq. POSTS (PLATED) SHOWN
3.75" BETWEEN PICKETS



333 WELTON STREET
HAMDEN, CT 06517
(800) 243-6256

SIZE A	FILE: HR	PART NAME: BRIDGEPORT 2-RAIL	REV A
SCALE: NOT TO SCALE	DRAWN BY: SHAWN	DATE: 11/07/13	SHEET: N/A